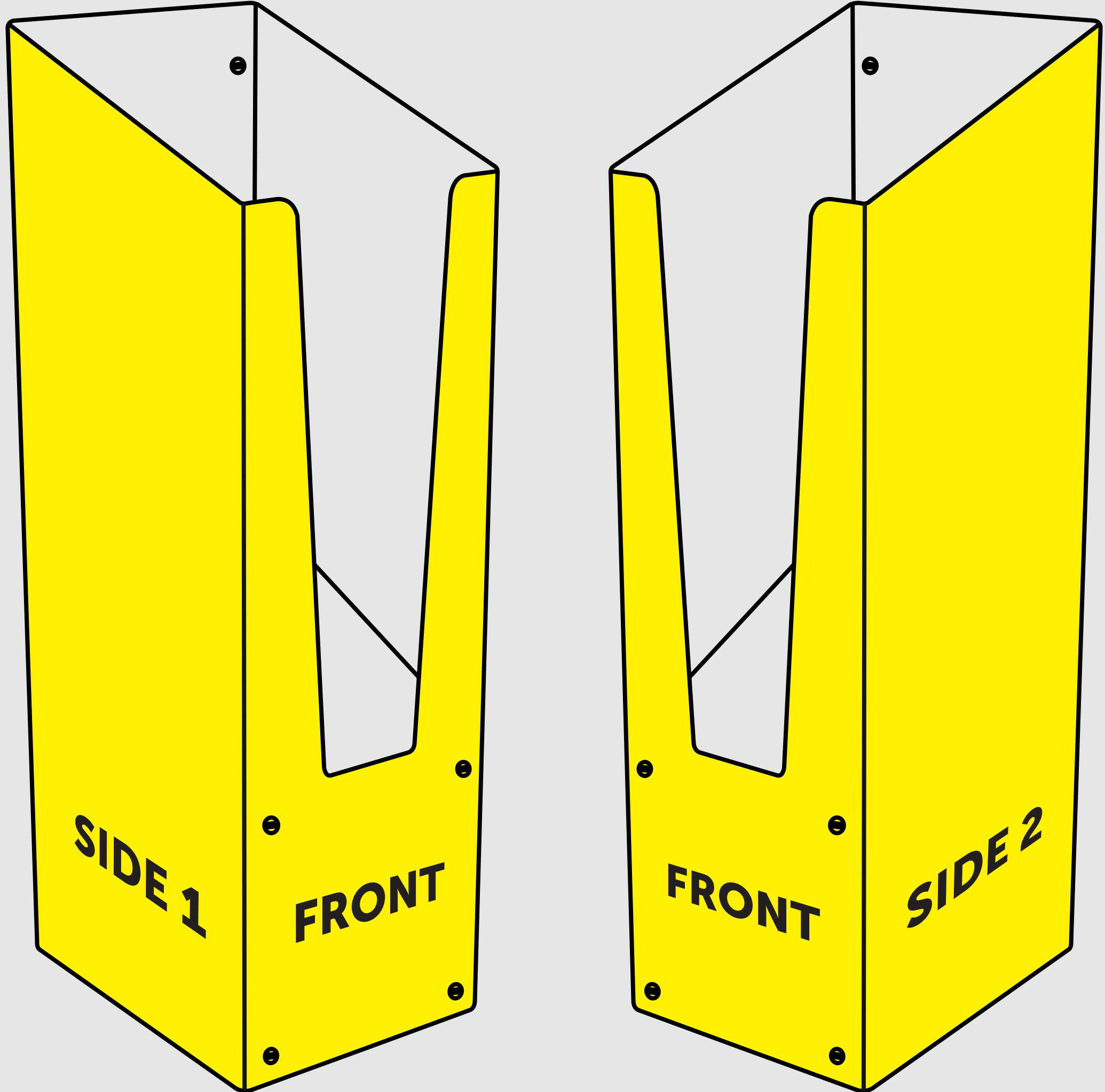


**PRINT TEMPLATE FOR
FOAMEX MAGAZINE STAND MAG1**
THIS TEMPLATE IS ACTUAL SIZE



⚠ Please note your artwork will be printed to the exterior of the stand, artwork will not be printed to the interior or the back panel.

- PLEASE ENSURE:**
- CMYK colour profile is used
 - All images are 300dpi or vectors for best results
 - Artwork is saved as a PDF or EPS

— FINISHED SIZE
This is the finished size of the magazine stand.

.... BEND AREAS
This is where the material will be bent to construct the stand. Keep vital text or imagery away from these areas. Anything within this area is prone to stretching.

○ SCREW HOLES
These areas will be obscured by screws to construct the unit. Keep vital text or imagery away from these areas.

